



The Loopbone is an effects loop controller that is equipped with two separate effects loops. These can be used separately or in series, allowing the guitarist to bring in effects when needed and take them out of the signal path to reduce noise and loading. To preserve the natural tone of the instrument, the Loopbone features 100% discreet Class-A circuit design with Drag™ control load correction. Noiseless switching is accomplished with opto-couplers making the Loopbone ideal for high-gain amps that are prone to switch noise. To add versatility, the Loopbone is equipped with Vari-Boost™, the best-sounding power booster on the planet and augmented with a separately buffered tuner-out.

With Loopbone in the system, complex guitar tones using multiple pedals are easily created. Best of all, since the two loops operate independently, completely different pedal setups can be pre-arranged and set on stand-by, then activated when needed with a single foot stomp. No more tap-dancing!

For greater flexibility, the Loopbone incorporates Slingshot™, a remote control that can be assigned to any of the 3 footswitches to remotely toggle amp channels or other Slingshot-equipped pedals. Slingshot gives you the functionality of MIDI without the complexity. Loopbone is the perfect master control for all pedalboards.

**Features**

- Two separate buffered effects loops
- Class-A audio circuitry for best sound
- Noise-free opto-coupler switching
- Vari-Boost™ Class-A power booster
- Separate buffered tuner out
- Drag™ control load correction

**Applications**

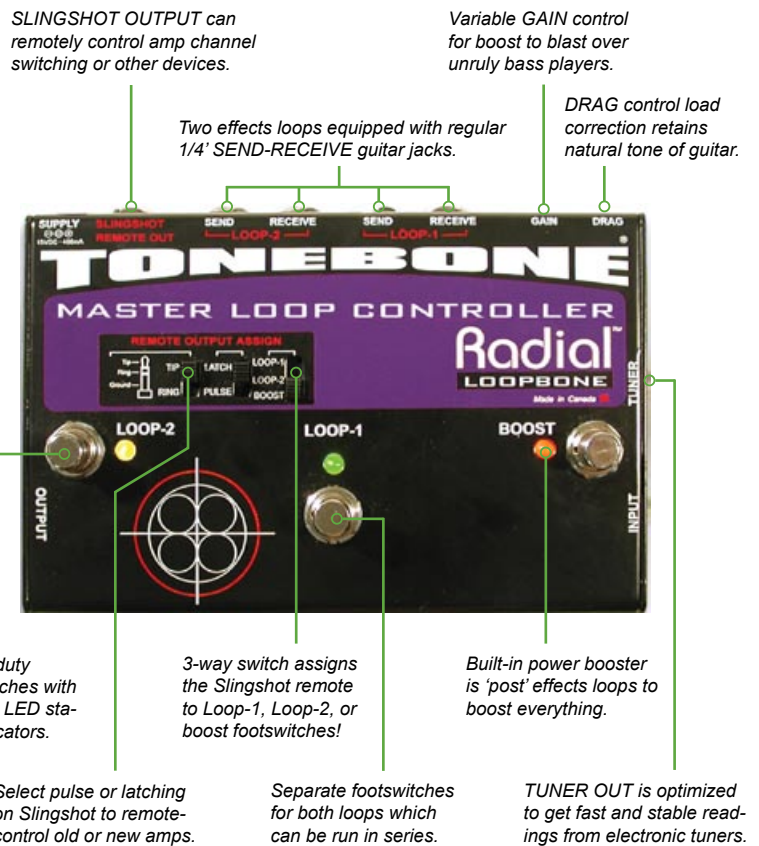
- Master controller for pedalboard setup
- Lets you bring pedals in-out when you need them
- Remotely switch amps or effects with Slingshot™
- Lets you drive long cables without noise

**Cool Stuff**

- Retain natural tone of instrument
- Compact design is jammed with features
- Keeps noisy pedals out of the chain until needed
- Turns your pedalboard into a pro-switcher

**Dimensions (W x D x H)**

- 6.9" x 4.5" x 2" (177mm x 114mm x 52mm)
- 2.35 lbs. (1 Kg)
- Includes 15VDC power supply

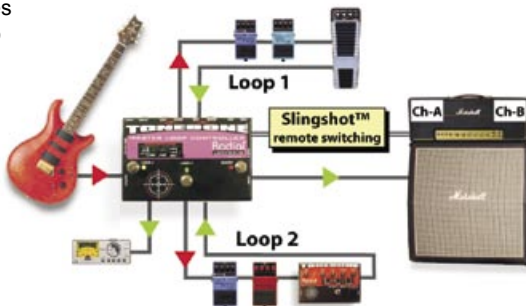


**Loopbone Setup with Slingshot**

Connect two effects loops and a tuner.

Slingshot™ gives you the ability to remotely switch amp channels or bypass effects with the Loopbone footswitches.

MIDI users eat your heart out!



**Better Guitar Web Zine**

[www.betterguitar.com](http://www.betterguitar.com)

Loopbone receives the 'Better Guitar Great Gear' award!

"As a basic effects loop selector, it excels, but it offers much more with its boost, Slingshot remote feature, and tuner out. It is dead quiet and a breeze to use live... If you are tired of tap-dancing on your pedalboard between songs, the Loopbone is definitely worthy of your consideration."

"...the PODxt definitely alters the tone of your guitar and I didn't want to run through it all the time. The Loopbone seemed like the perfect answer, and it was."

"...The more I used the Loopbone, the more possibilities I began to envision..."

